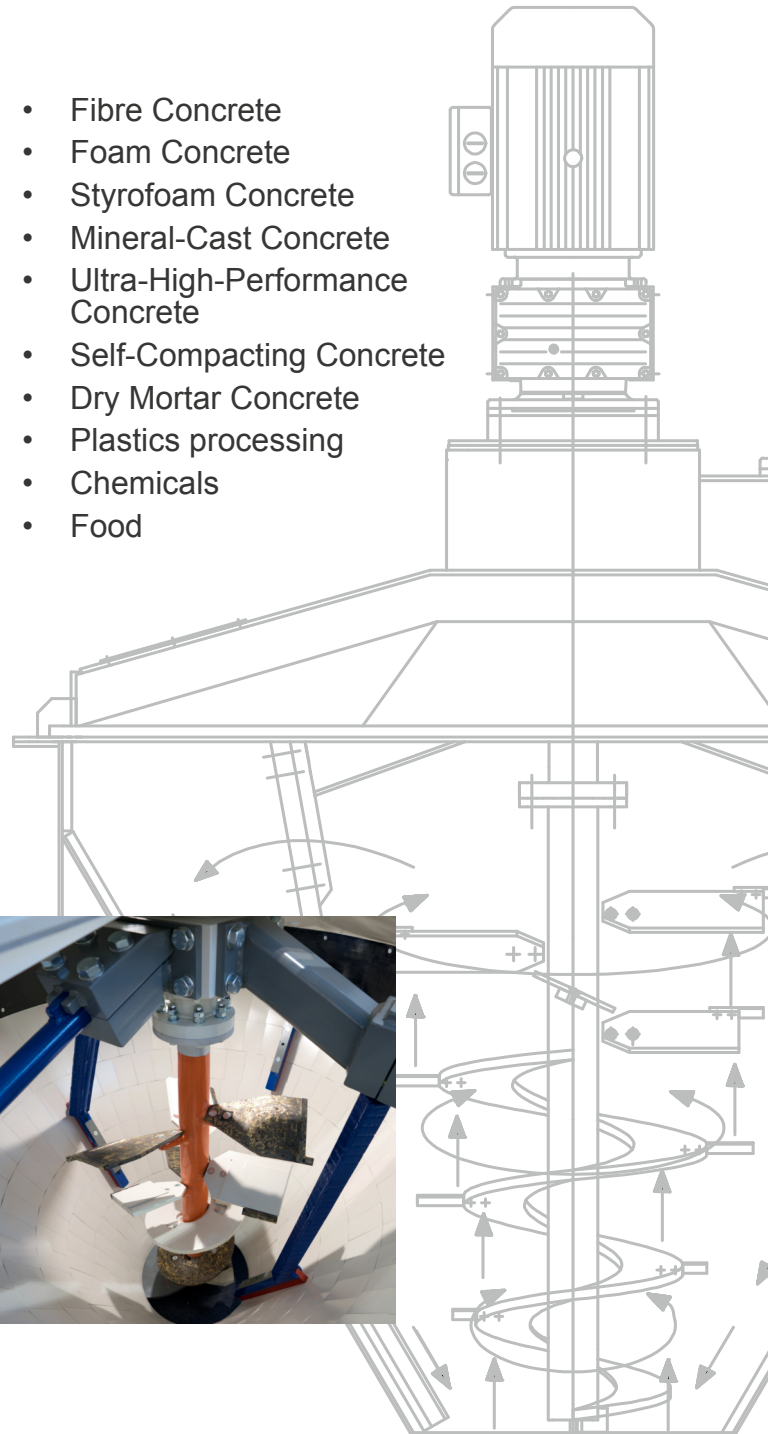


Key Features:

- Conical mixer
- Two contra-rotating mixing tools
- Archimedean screw as inner agitator
- Reliable break-up of cement agglomerates
- Custom-designed agitators for perfect mixtures
- Starting from 15 litres up to 6000 litres output
- No loss of quality when mixing small quantities
- Quick change of products and colours
- Short mixing and discharge cycles
- Reduced wear and tear surfaces
- Reduction of waste
- Short cleaning times

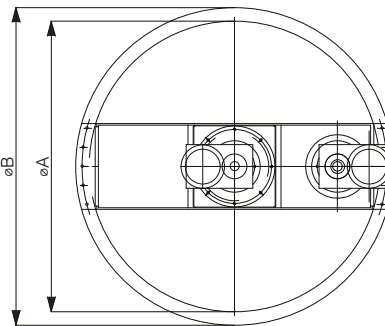
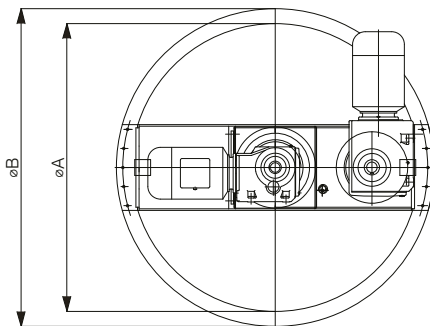
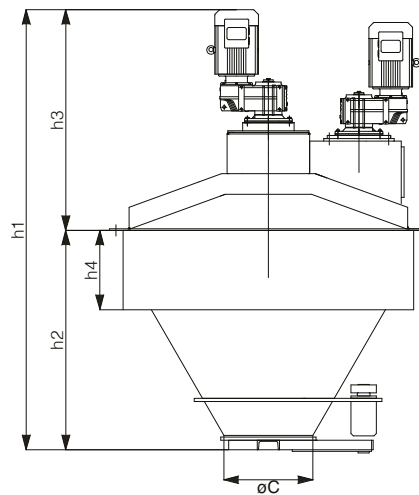
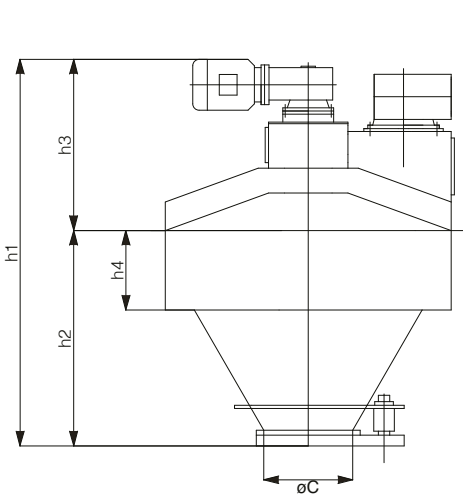
Application:

- Fibre Concrete
- Foam Concrete
- Styrofoam Concrete
- Mineral-Cast Concrete
- Ultra-High-Performance Concrete
- Self-Compacting Concrete
- Dry Mortar Concrete
- Plastics processing
- Chemicals
- Food



with bevel gears

with flat gears



Laboratory Mixer KKM 100/150



Stainless steel agitator

Description	Output/fill capacity	Liter	100/150	250/375	375/550	500/750	750/1125	1000/1500	1250/1875	1500/2250	2000/3000	2250/3375	2500/3750	3000/4500	6000
AC motor inner agitator	kW		5,5 (7,5)	7,5 (9,2)	9,2 (11)	11 (15)	15 (18,5)	22 (30)	30 (37)	37 (45)	45 (55)	45 (55)	55 (75)	75	75*
AC motor lateral agitator	kW		5,5 (7,5)	7,5 (9,2)	9,2 (11)	11 (15)	15 (18,5)	22 (30)	30 (37)	37 (45)	37 (45)	45 (55)	55 (75)	75	75*
A	mm		820	1420	1420	1800	1800	2100	2410	2410	2410	2410	2700	2700	3000
B	mm		940	1620	1620	2000	2000	2300	2622	2622	2622	2622	2912	2912	3200
C	mm		360	560	560	560	560	660	660	660	660	660	660	660	760
h1	mm		1780	2420 (2480)	2680 (2740)	2870 (2955)	2955	3080	3410	3570 (3670)	3670 (3770)	3770	4055	4235	on demand
h1 (bevel gear)	mm		1440	2050	2250	2350 (2450)	2500	2560	2660	2915 (3015)	3015 (3115)	3150 (3285)	3350	3465	on demand
h2	mm		700	1070	1270	1400 (1500)	1500	1560	1650	1825 (1925)	1925 (2025)	2025	2140	2240	2260
h3	mm		1080	1350 (1410)	1410 (1470)	1470 (1455)	1455	1520	1760	1745	1745	1745	1915	1995	on demand
h3 (bevel gear)	mm		735	977	980	1000	1000	1000	1010	1090	1090	1090 (1260)	1210	1225	on demand
h4	mm		300	350	550	500 (600)	600	500	300	500 (600)	600 (700)	700	600	700	700

* Only for dry mixtures

() values in brackets - reinforced motors for SCC and UHPC

